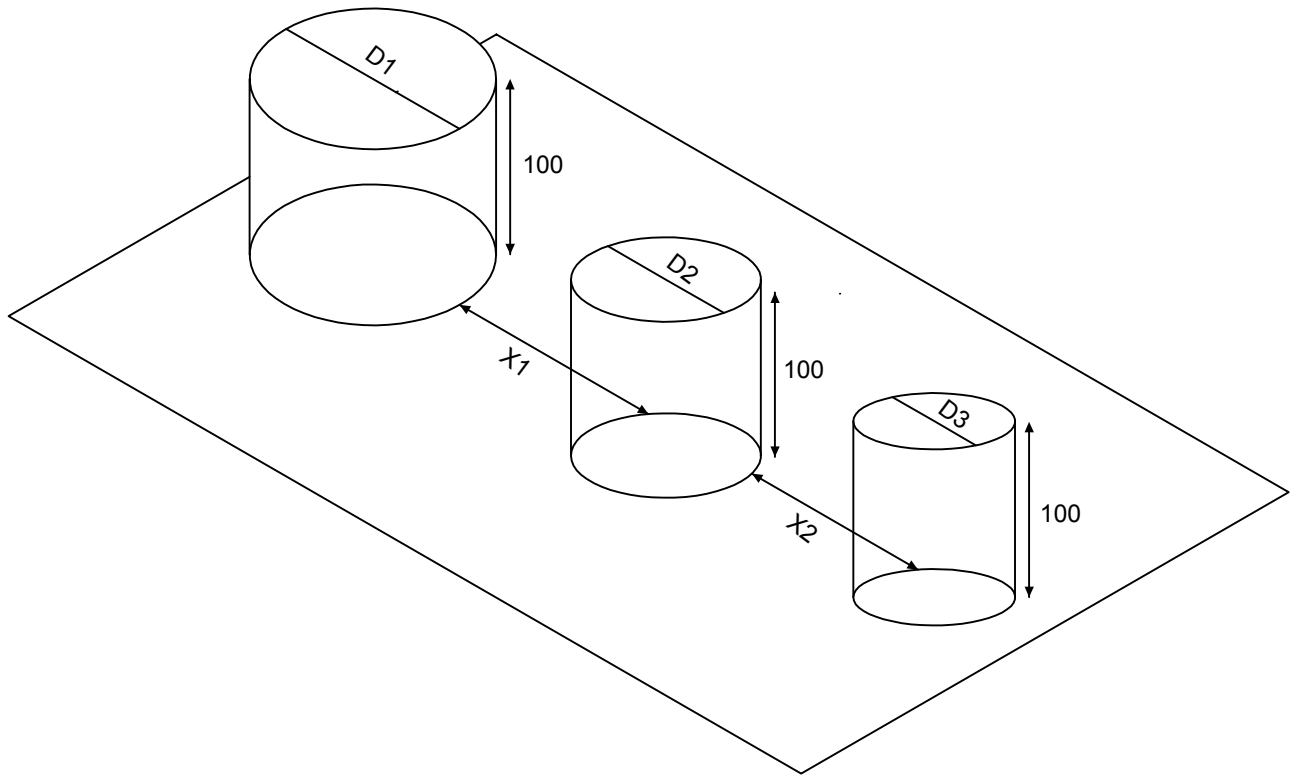


Multiple Sized Service entry Top Hats



D1	
D2	
D3	
X1	
X2	
Quantity	

Contact Name
Contact Number

Project Detail