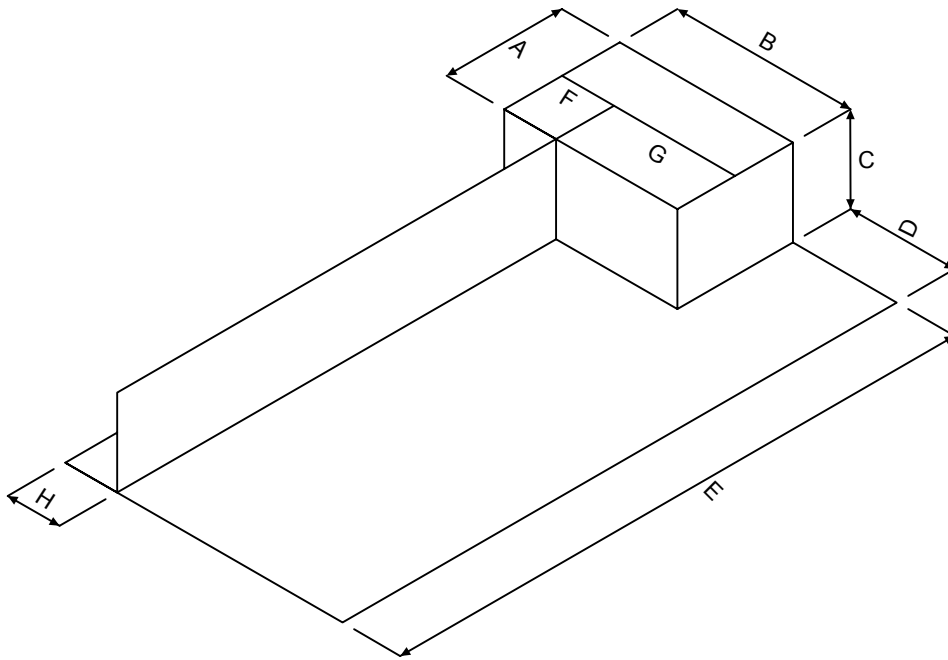


## Level Threshold Cloak



A	
B	
C	
D	
E	
F	
G	
H	
Quantity	

Contact Name		Project Detail
Contact Number		