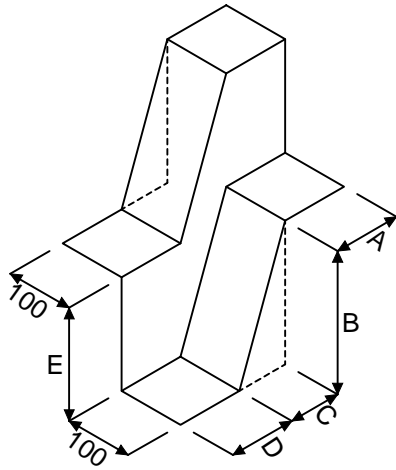
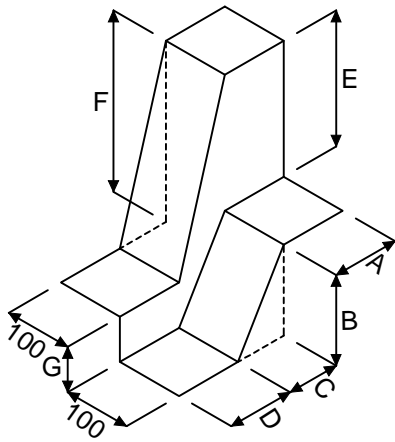


CHANGE OF LEVEL A (BRICK/BLOCK REVERSIBLE)



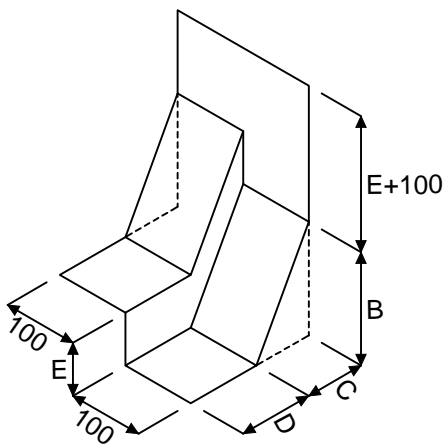
A	
B	
C	
D	
E	
Quantity	

CHANGE OF LEVEL B



A	
B	
C	
D	
E	
F	
G	
Quantity	

CHANGE OF LEVEL C



A	
B	
C	
D	
E	
Quantity	

Contact Name
Contact Number

Project Detail