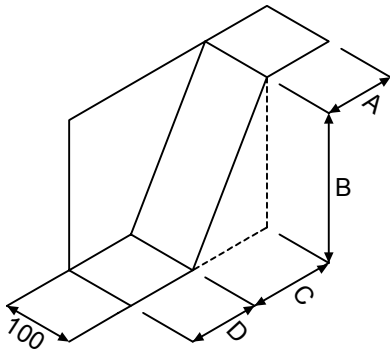
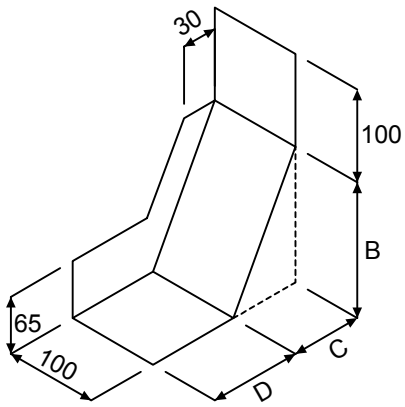


Column Stop End A



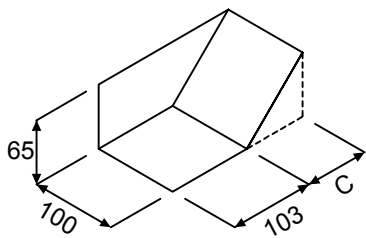
A	
B	
C	
D	
Quantity	

Stop End B



B	
C	
D	
Quantity	

Splayed Lintel Stop End



C	
Quantity	

Contact Name
Contact Number

--

Project Detail