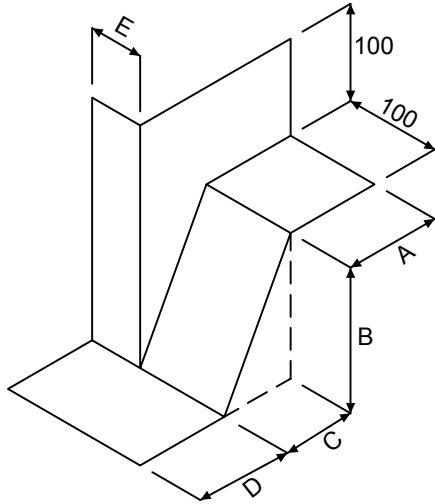
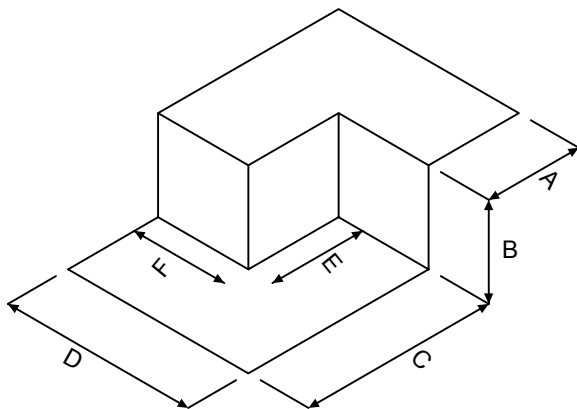


Jamb Cloak



A	
B	
C	
D	
E	
Quantity	

Door Pair Jamb Cloak



A	
B	
C	
D	
E	
F	
Quantity	

Contact Name	
Contact Number	

Project Detail	
----------------	--