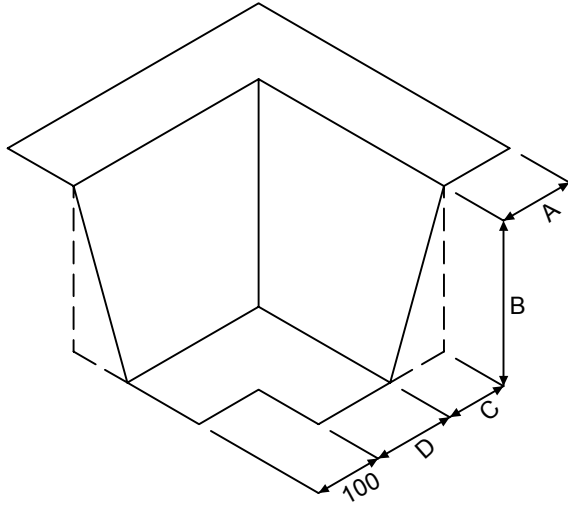
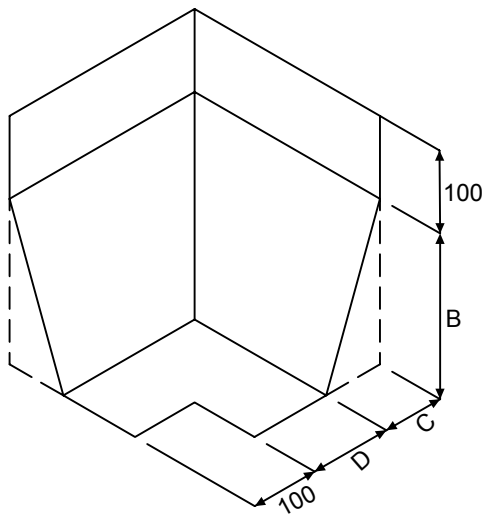


Internal Corner Cloak



A	
B	
C	
D	
Quantity	

Surface Fix Internal Corner Cloak



B	
C	
D	
Quantity	

Contact Name	
Contact Number	

Project Detail	
----------------	--