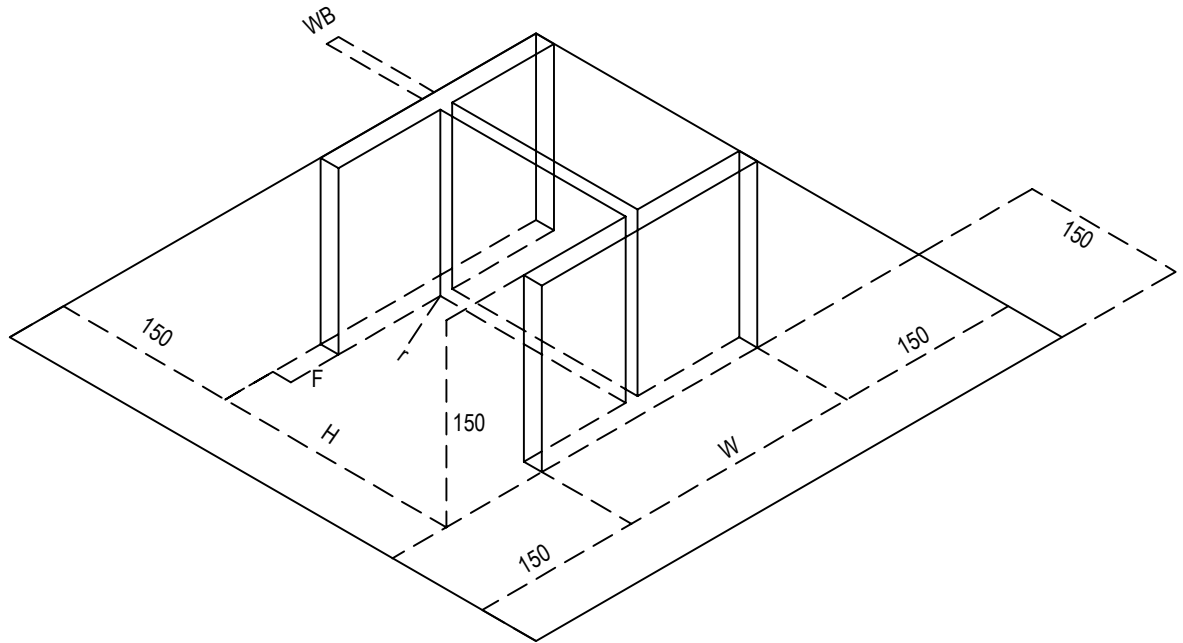


## I Beam Cloaks



H	
W	
F	
WB	
r	
Quantity	

Contact Name		Project Detail
Contact Number		