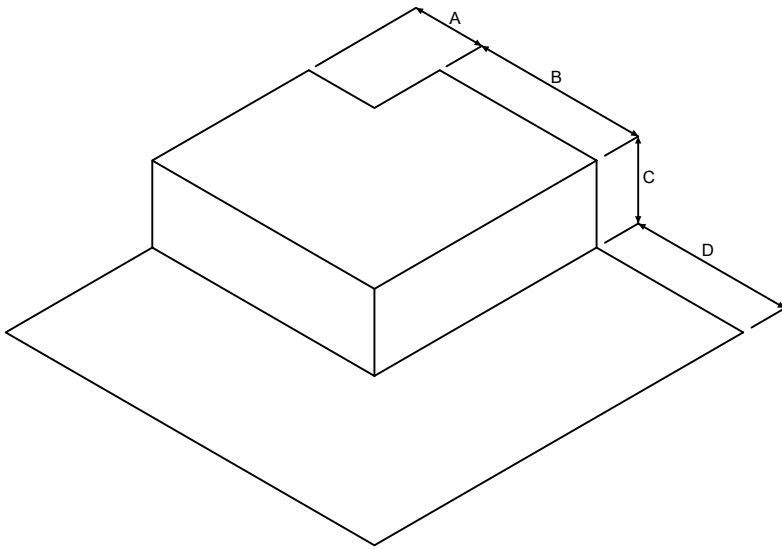
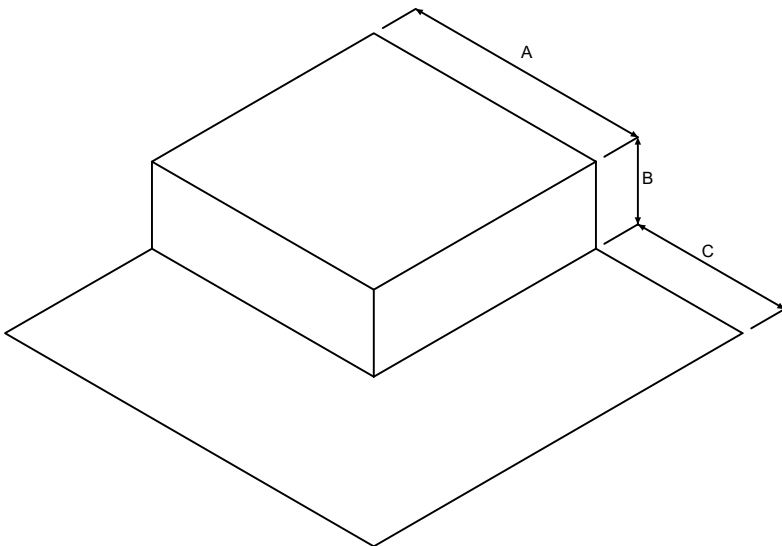


External Corner Cloak



A	
B	
C	
D	
Quantity	



A	
B	
C	
Quantity	

Contact Name

Contact Number

Project Detail